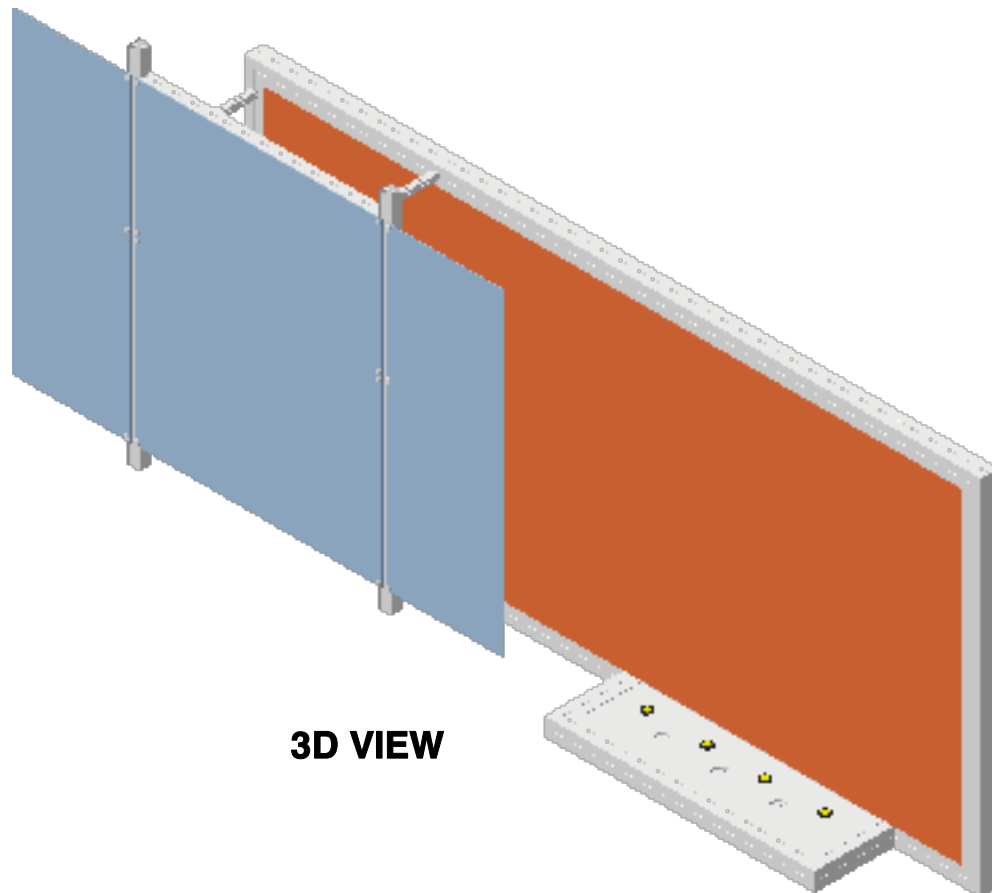
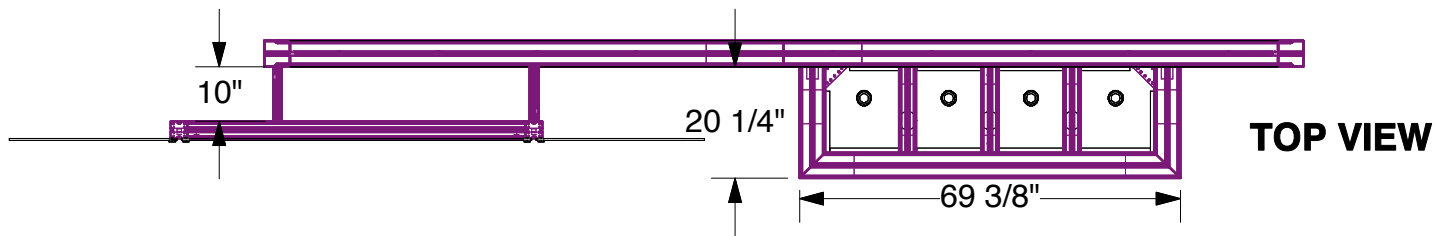
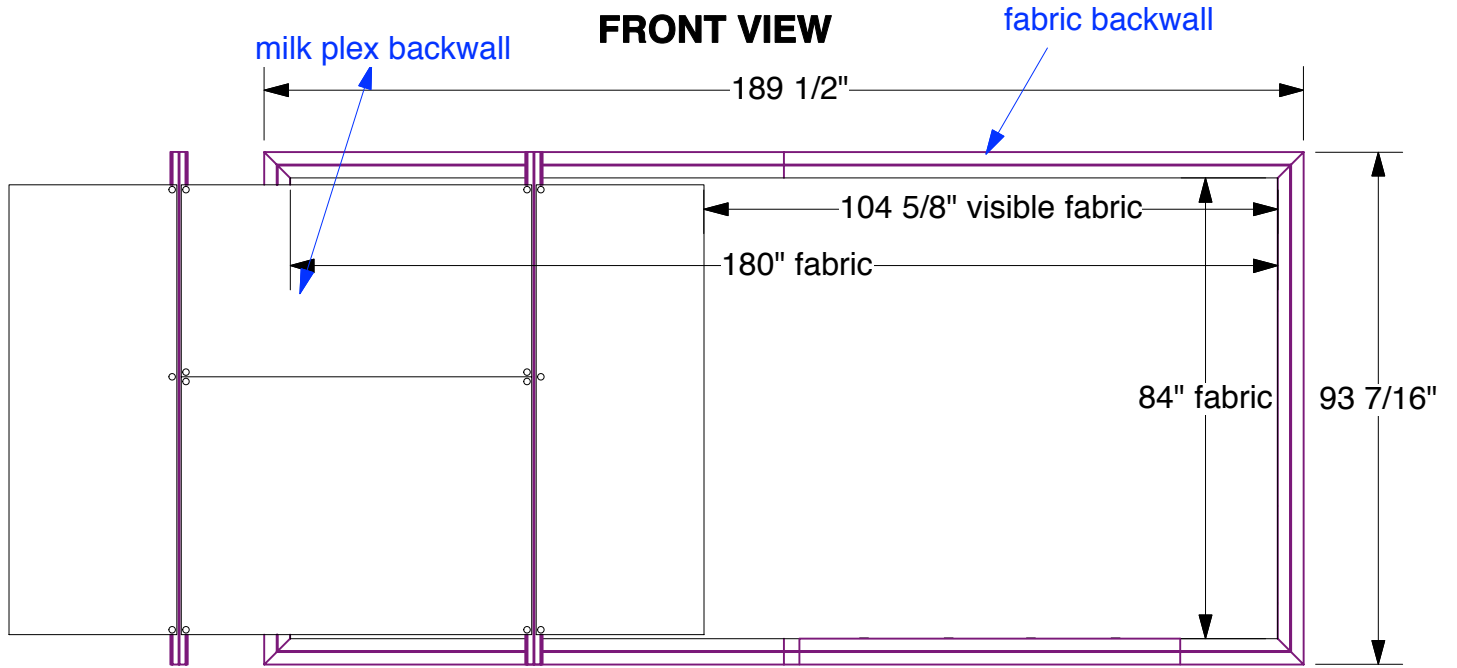


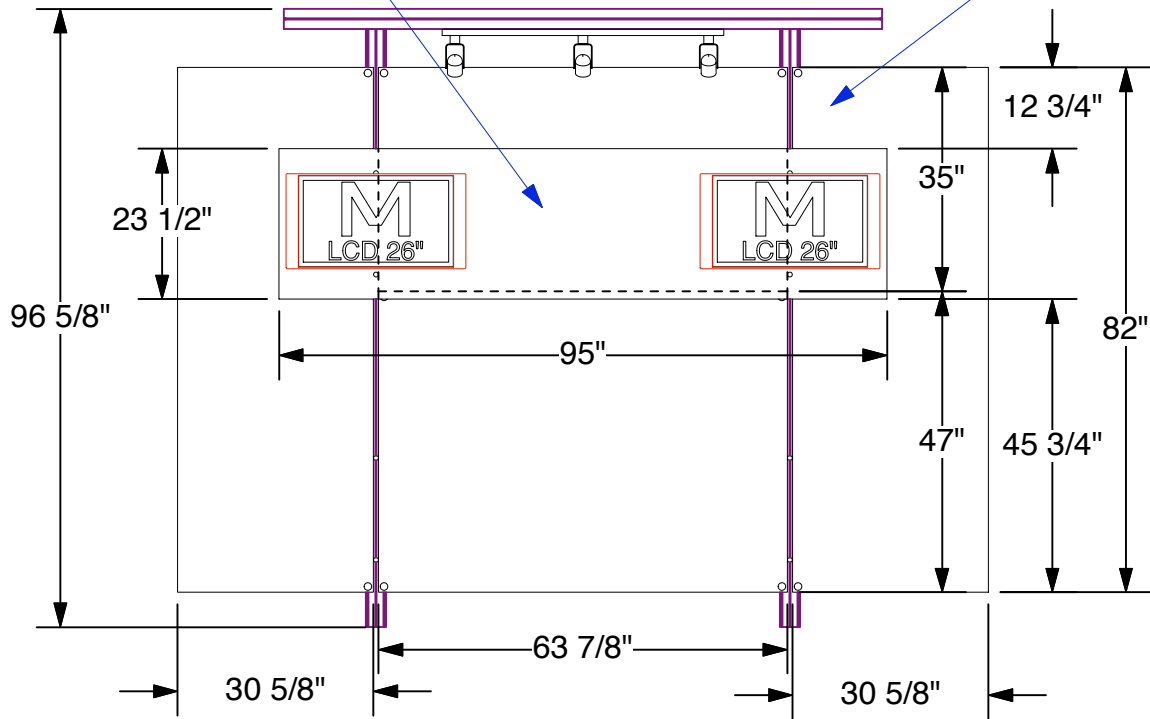
SOLAR A 10x20
Fabric Backwall



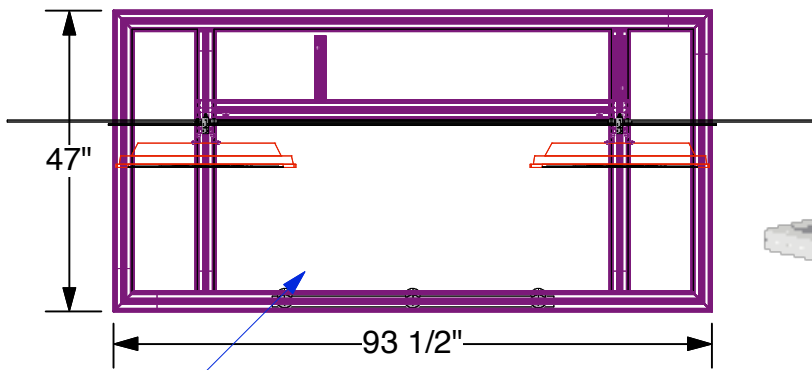
SOLAR A 10x20
Front wall with ceiling

Sintra board (behind monitor)

Front wall with milk plex panels

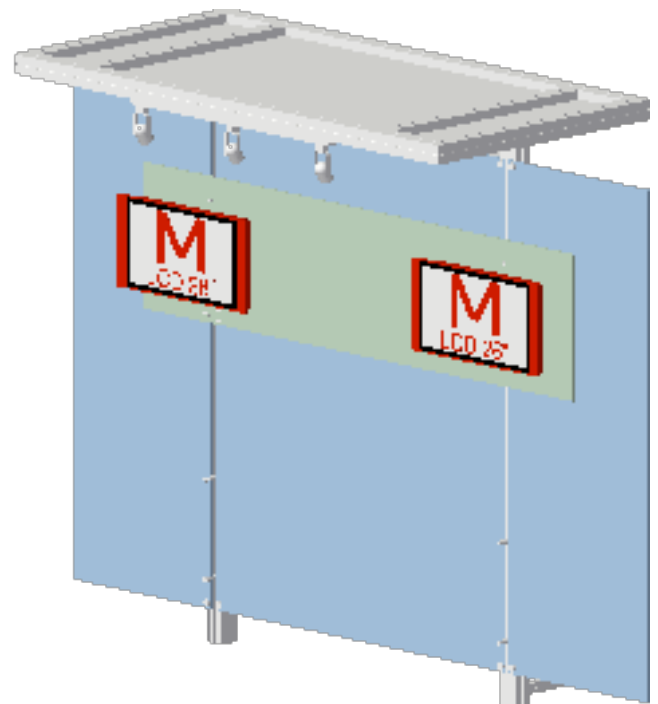


FRONT VIEW



TOP VIEW

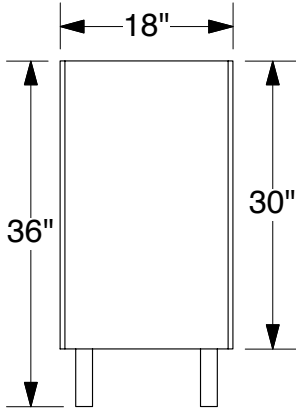
ceiling with milk plex fill panels



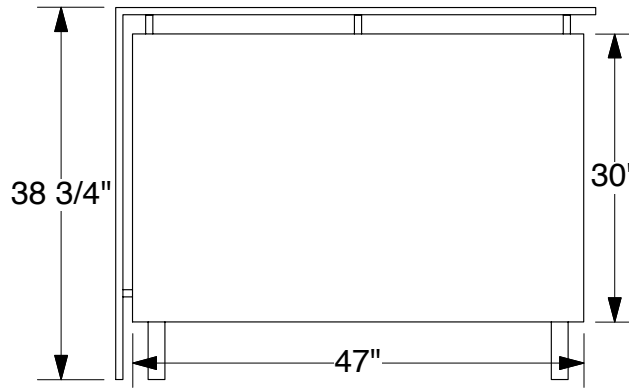
3D VIEW

SOLAR A
Counters

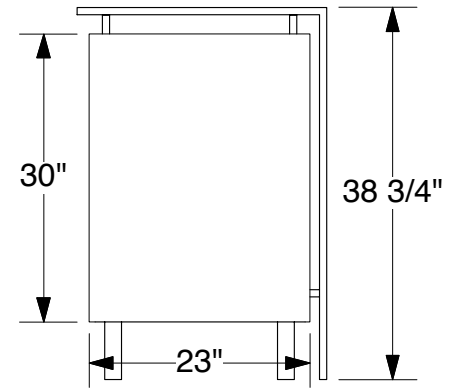
FRONT VIEW



Pedestal counter
49 lbs

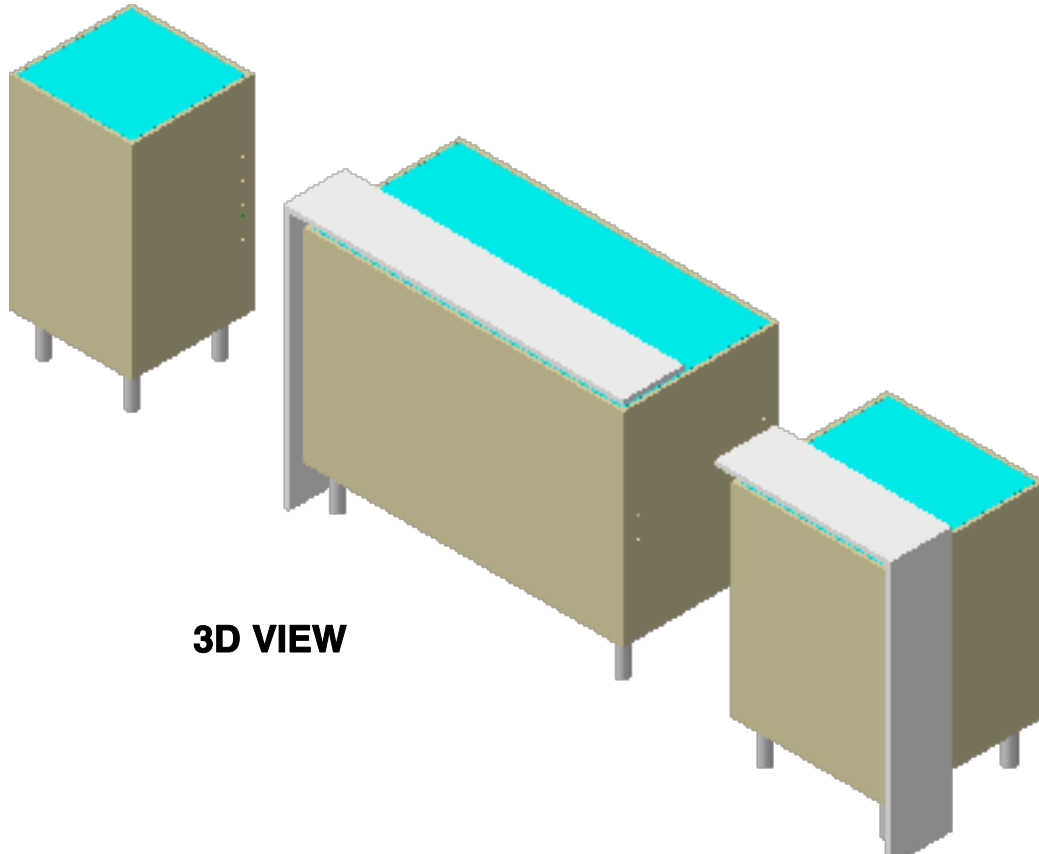
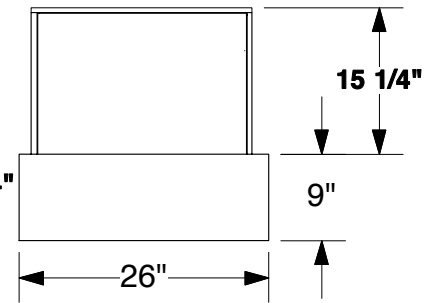
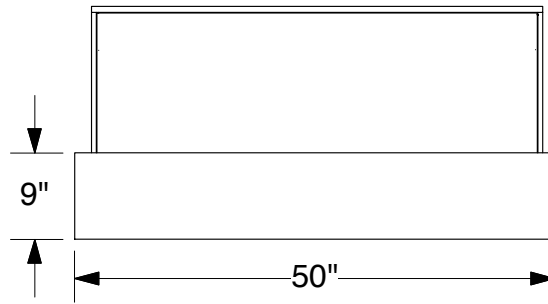
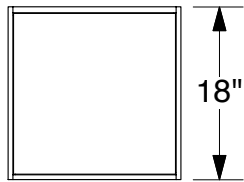


Reception counter
78 lbs

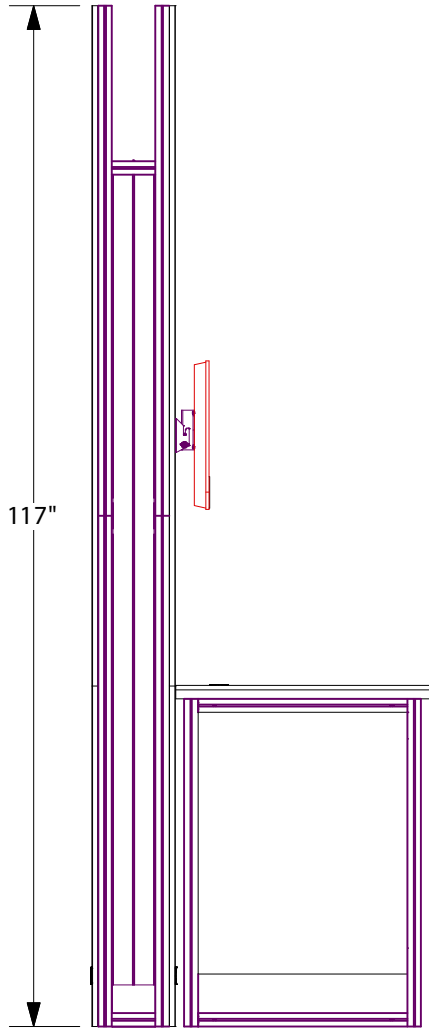


Backwall counter
63 lbs

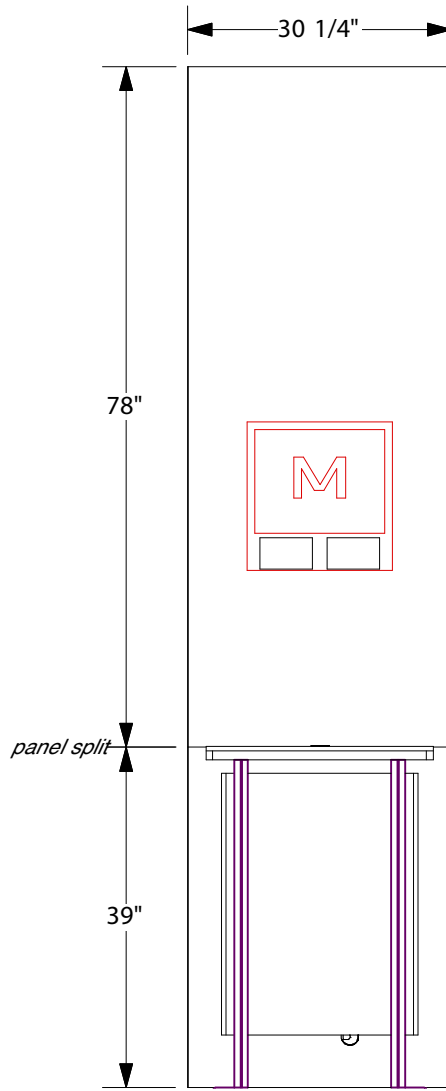
TOP VIEW



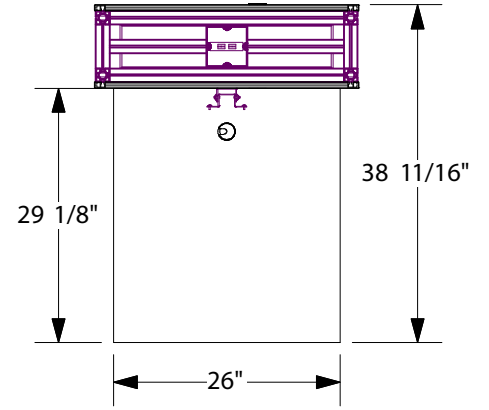
3D VIEW



SIDE VIEW



FRONT VIEW



TOP VIEW



3D VIEW