

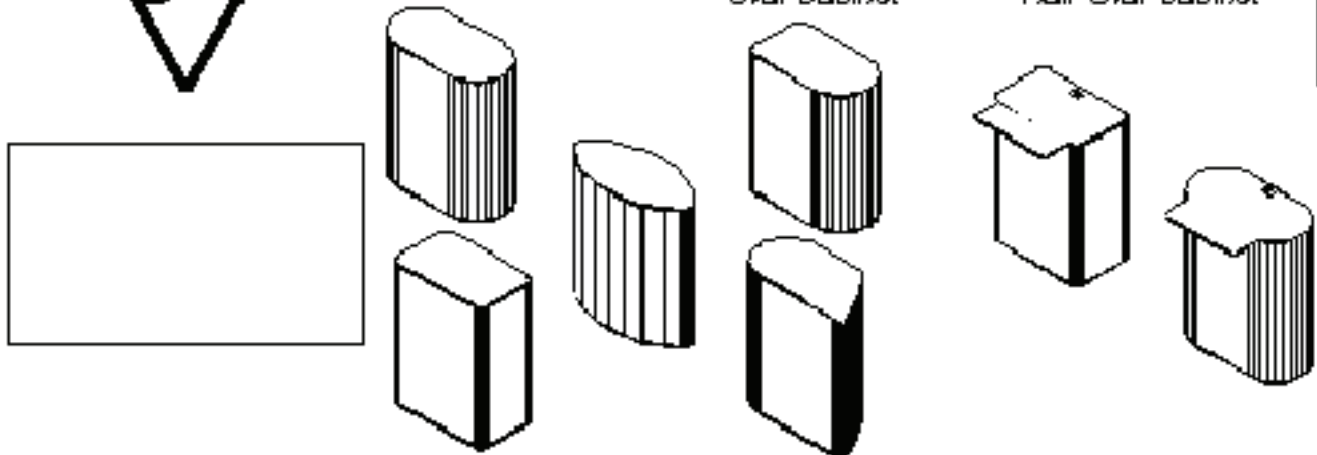


Assembly Instructions

UltraLite & Graphic Ready

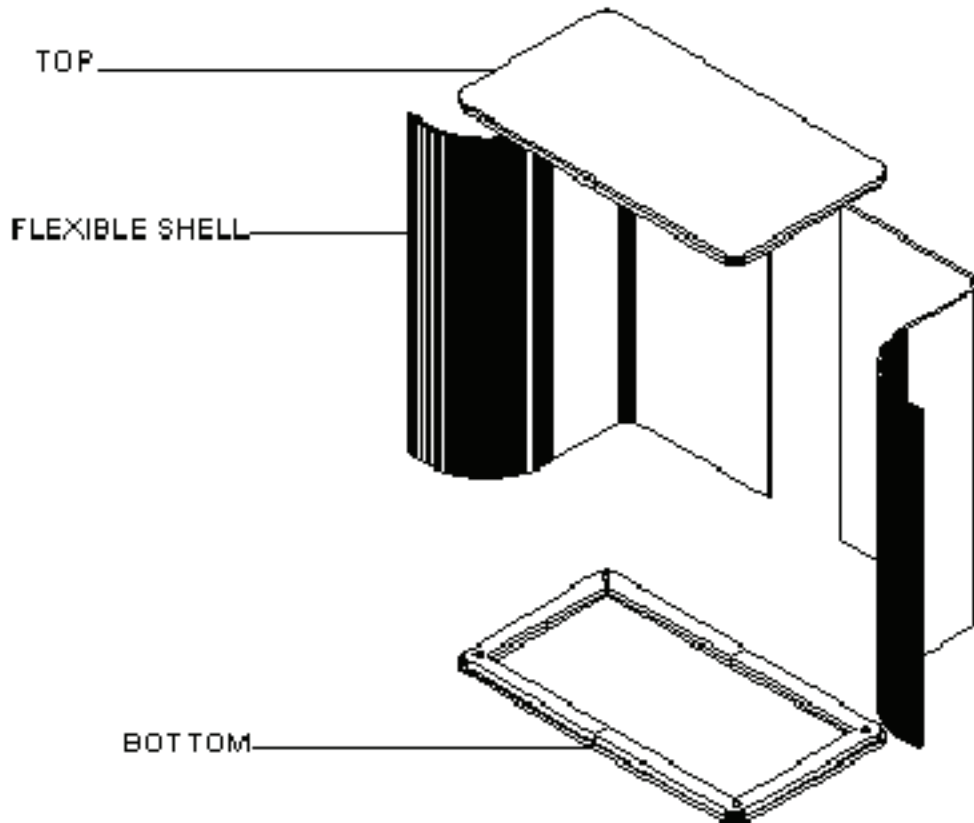
Rectangle Cabinets
Oval Cabinet

Ellipse Cabinet
Half Oval Cabinet



Note: Above cabinets are made with similar parts. Follow the instructions to assemble your cabinet. Not all cabinets are shown.

1. Lay bottom form on floor and Velcro flexible shell around beginning at start line.
2. Place countertop in upper edge of shell.
3. Wrap second flexible shell tightly around bottom and top to complete unit.



Note: For two section cabinets complete the steps above for each section and push together.