



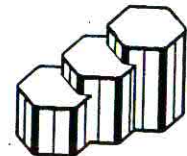
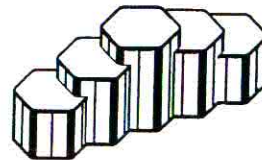
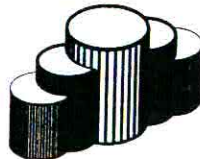
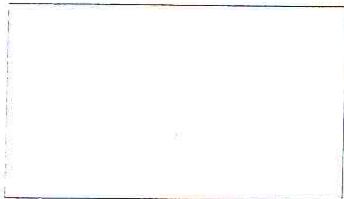
# Assembly Instructions

**CA323** Three Cabinet Crescent Set

**CA531** Five Cabinet Crescent Set

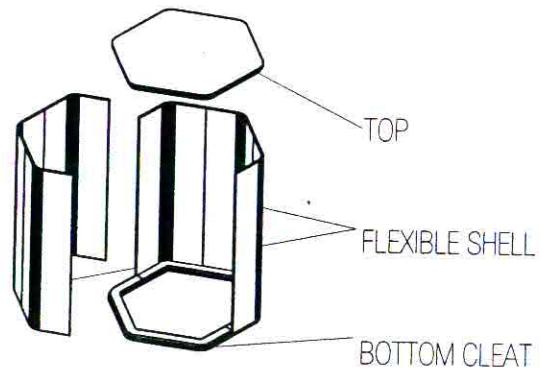
**XCA532** Five Cabinet Hex Crescent Set

**XCA332** Three Cabinet Hex Crescent Set



*Note: Above cabinets are made with similar parts. Follow the instructions to assemble your cabinet.*

**1.** Lay bottom cleat (B) on floor. Beginning at the start line in the cleat (notch in center), tightly wrap one of the tallest flexible shells (SH) halfway around bottom cleat. Velcro top (T) inside flexible shell, and velcro remaining tallest flexible shell around cleat and top.



**2.** Repeat step 1 to create crescent shapes with open backs.

**3.** Position crescents against completed cabinet and other crescents.

